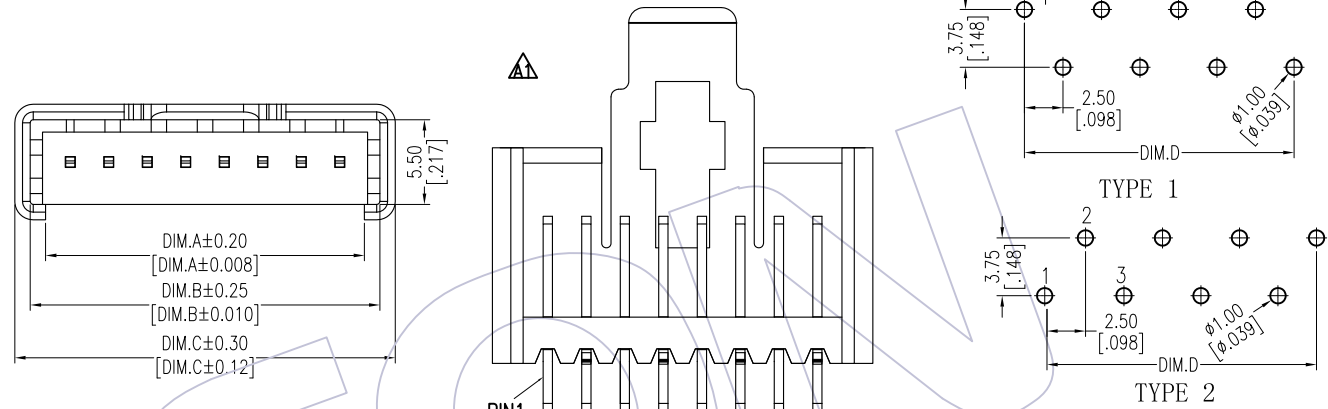


HSF

NOTES:
 Current Rating: 5.0AMP
 Contact Resistance: 10mΩ Max
 Withstand Voltage: 1500V AC/DC
 Insulation Resistance: 1000MΩ Min
 Operation Temperature: -40°C to +105°C

Contact Material: Brass
 Contact plating: Matte Sn over Ni
 Insulator Material: PBT+30%G.F UL94V-0

Recommended P.C.B Layout (Top Side)
 (PCB BOARD TOLERANCE ±0.05)



Ordering Information

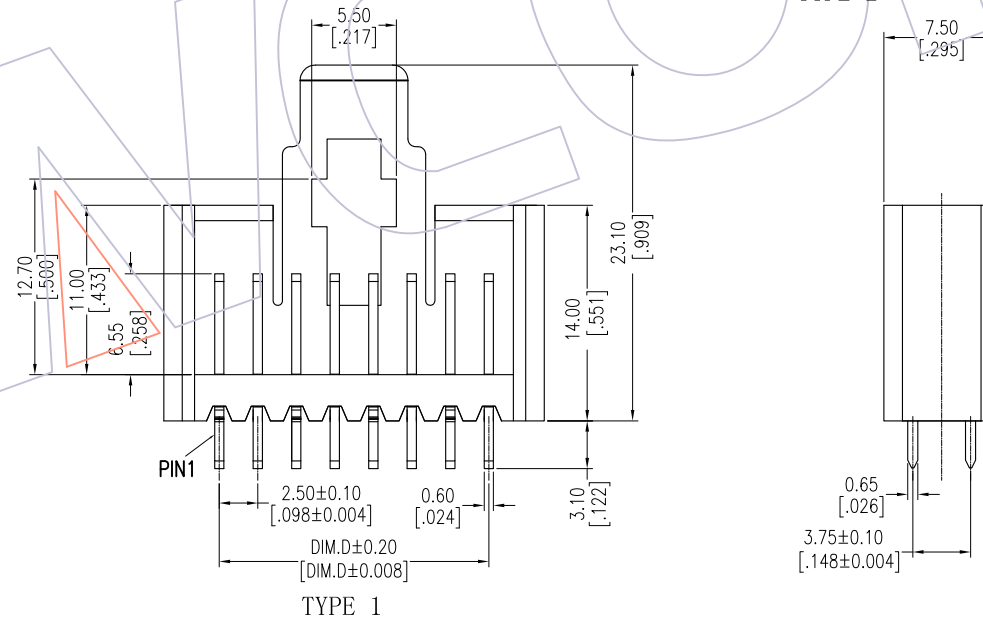
WF2512-WS **XX** **G** **A** **X**

No. of pins
04-20P

Color
G-Grey

Packing
A=Tray

SERIES
4=TYPE 1
6=TYPE 2



| PIN | DIM.A | DIM.B | DIM.C | DIM.D |
|-----|-------|-------|-------|-------|
| 4P | 10.70 | 12.70 | 14.70 | 7.50 |
| 5P | 13.20 | 15.20 | 17.20 | 10.00 |
| 6P | 15.70 | 17.70 | 19.70 | 12.50 |
| 7P | 18.20 | 20.20 | 22.20 | 15.00 |
| 8P | 20.70 | 22.70 | 24.70 | 17.50 |
| 9P | 23.20 | 25.20 | 27.20 | 20.00 |
| 10P | 25.70 | 27.70 | 29.70 | 22.50 |
| 11P | 28.20 | 30.20 | 32.20 | 25.00 |
| 12P | 30.70 | 32.70 | 34.70 | 27.50 |
| 13P | 33.20 | 35.20 | 37.20 | 30.00 |
| 14P | 35.70 | 37.70 | 39.70 | 32.50 |
| 15P | 38.20 | 40.20 | 42.20 | 35.00 |
| 16P | 40.70 | 42.70 | 44.70 | 37.50 |
| 17P | 43.20 | 45.20 | 47.20 | 40.00 |
| 18P | 45.70 | 47.70 | 49.70 | 42.50 |
| 19P | 48.20 | 50.20 | 52.20 | 45.00 |
| 20P | 50.70 | 52.70 | 54.70 | 47.50 |

| REV | DATE | MODIFICATION DESCRIPTION | CHANGE | OPERATION | DRAW | DATE | SCALE | FIT | PART NO. |
|-----|------------|--------------------------|--------|-------------|---------|------------|-------|-----|--|
| A2 | 2017/03/24 | Modify PART NO. | △ | x.X ±0.40 | Ding | 2017/03/24 | UNIT | mm | WF2512-WSXXGA4 (06) △ |
| A1 | 2016/06/28 | MODIFY | --- | x.XX ±0.25 | CHECK | DATE | SIZE | A4 | TITLE: 2.50mm Pitch Wafer 180° With Latch 错位 |
| AO | 2014/11/10 | NEW | --- | x.XXX ±0.15 | APPROVE | DATE | SHEET | 1/1 | Customer NO. |
| | | | | Angle ± 3' | | | PROJ. | | |
| | | | | DIM TOL | | | | | |

WCON
 Http: www.wcon.com

WCON-Dongguan
 Tel: +86 769 85358920
 Fax: +86 769 85358915
 E-mail: sales@wcon.com

WCON-Kunshan
 Tel: +86 512 57468408
 Fax: +86 512 57468468
 E-mail: salesks@wcon.com