

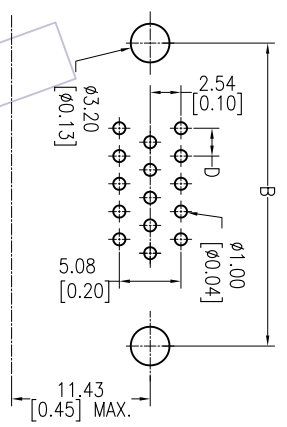
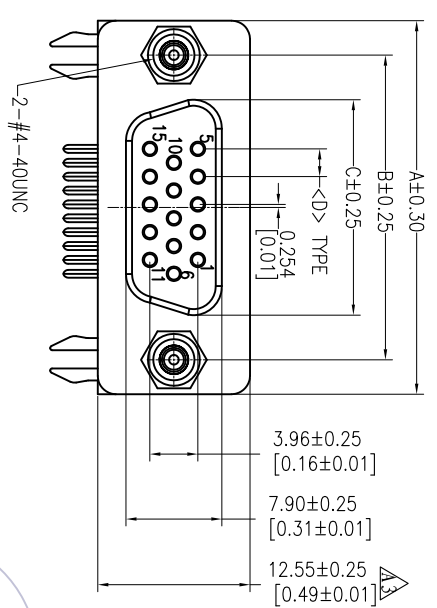


NOTES:

Rated Current:3.0AMP
 Contact Resistance:30mΩ max
 Withstand Voltage:500V AC
 Insulation Resistance:1000MΩ min
 Operation Temperature:-55℃ to +105℃

Contact Material:Brass
 Contact Plating:Au or Sn Over Ni
 Insulator Material:PBT+30%GF UL94V-0
 Sheel:Steel,Ni Plated
 Rewit/Harpoon:Brass,Sn Over Ni Plated
 Screw:Brass,Ni Plated

Recommended P.C.B Layout(Top Side)
 (PCB BOARD TOLERANCE±0.05)

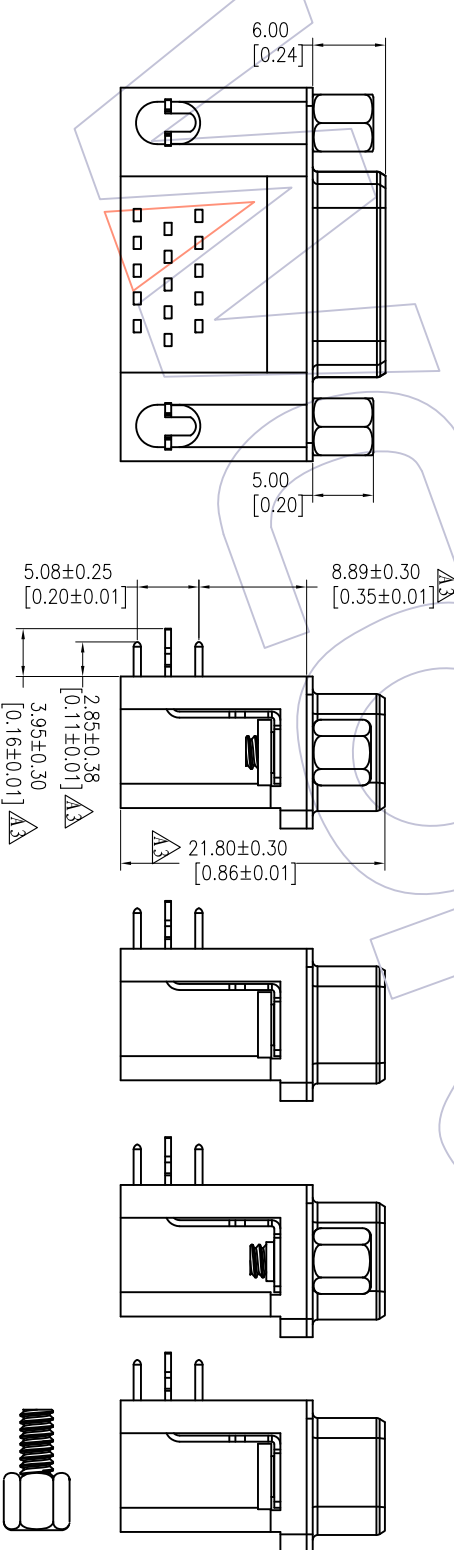


Ordering Information

6213-XX F X N XX B 01

Neol Pins Product Type Contact Plating Insulator Color
 15.26/44.62P W=With Rewit SO=Gold Flash/Tin B:Black
 With Screw Without Screw S3=10u"Gold/Tin U:Blue
 M=With Rewit S4=15u"Gold/Tin
 S=No Rewit Without Screw S5=30u"Gold/Tin
 Lock With Screw SN=Tin
 H=With Rewit
 With Screw(Dont lock)

PINS	DIM "A"	DIM "B"	DIM "C"	DIM "D"
15	30.80	24.99	16.34	2.29
26	39.20	33.32	24.80	2.29
44	53.10	47.04	38.33	2.29
62	70.00	63.50	54.80	2.41



6213-XXFWNXXB01 6213-XXFNNXXB01 6213-XXFNSXXB01 6213-XXFHNXXB01

REV	DATE	MODIFICATION DESCRIPTION	CHANGE	OPERATION	DRAW	DATE	SCALE	FIT	PART NO.	TITLE:	WCON-Dongguan	WCON-Kunshan
A3	2014/06/03	Modify	△	OPERATION	Allen	2014/06/03	mm	A4	6213-XXFWNXXB01	High density connector female 8.89mm footprint right angle type	Tel: +86 769 85358920 Fax: +86 769 85358915 E-mail: sales@wcon.com	Tel: +86 512 57468408 Fax: +86 512 57468468 E-mail: sales@wcon.com
A2	2014/04/08	Modify	△	OPERATION	Allen	2014/06/03	mm	A4	6213-XXFNNXXB01	High density connector female 8.89mm footprint right angle type	Tel: +86 769 85358920 Fax: +86 769 85358915 E-mail: sales@wcon.com	Tel: +86 512 57468408 Fax: +86 512 57468468 E-mail: sales@wcon.com
A1	2013/02/19	ADD NEW TYPE	△	OPERATION	Allen	2014/06/03	mm	A4	6213-XXFNSXXB01	High density connector female 8.89mm footprint right angle type	Tel: +86 769 85358920 Fax: +86 769 85358915 E-mail: sales@wcon.com	Tel: +86 512 57468408 Fax: +86 512 57468468 E-mail: sales@wcon.com
A0	2012/12/05	NEW	△	OPERATION	Allen	2014/06/03	mm	A4	6213-XXFHNXXB01	High density connector female 8.89mm footprint right angle type	Tel: +86 769 85358920 Fax: +86 769 85358915 E-mail: sales@wcon.com	Tel: +86 512 57468408 Fax: +86 512 57468468 E-mail: sales@wcon.com



Http: www.wcon.com

WCON-Dongguan
 Tel: +86 769 85358920
 Fax: +86 769 85358915
 E-mail: sales@wcon.com

WCON-Kunshan
 Tel: +86 512 57468408
 Fax: +86 512 57468468
 E-mail: sales@wcon.com